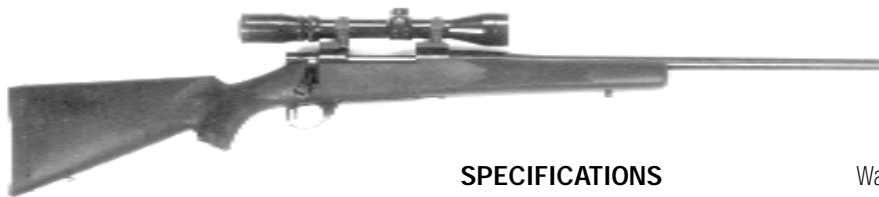


## Howa 1500 Lightning

Retail Price...\$425

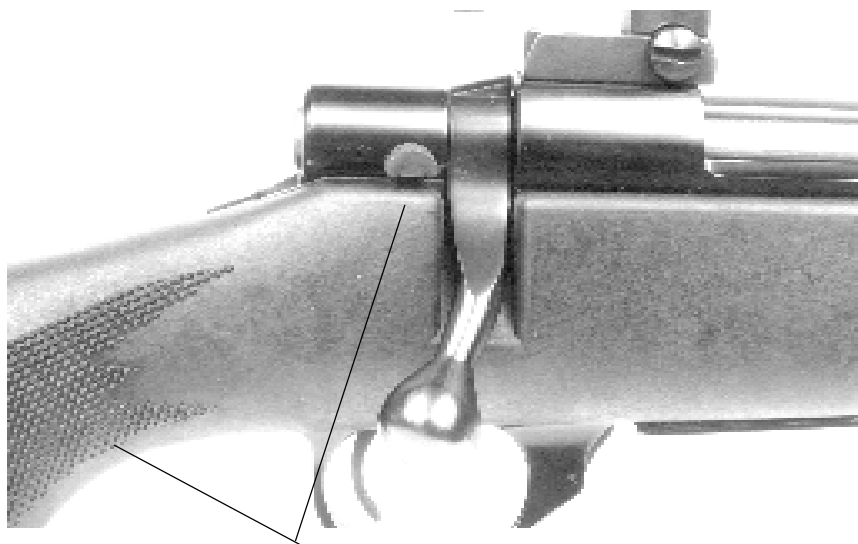


**Our recommendation: Like the Remington and Winchester, this gun didn't shoot well enough to earn our recommendation.**

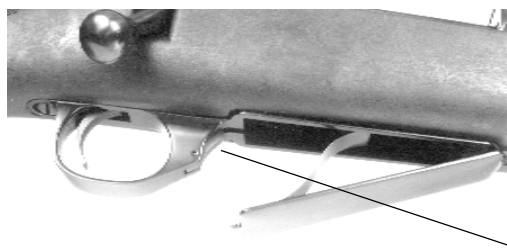
## SPECIFICATIONS

Warranty: One year

METAL FINISH .....	Blued	STOCK MATERIAL .....	Synthetic
WEIGHT (EMPTY) .....	7.5 lbs.	LENGTH OF PULL .....	13.63 in.
OVERALL LENGTH .....	42.5 in.	FOREND WIDTH .....	1.81 in.
BARREL LENGTH .....	22 in.	GRIP WIDTH .....	1.47 in.
SIGHT RADIUS .....	NA	Magazine Type...	Internal/FP
CAPACITY .....	5 rds.	Floorplate .....	Steel



The Howa Model 1500 Lightning's manual safety was a two-position on the right rear of the receiver, directly behind the bolt. The raised checkering on the pistol grip was more nonslip than the flush checkering on the other rifles in this test.



The Howa Model 1500 Lightning's magazine floorplate release was a pivoting lever-shaped catch that was partially recessed into the front of the trigger guard. The release worked stiffly.

very small, making it inconvenient to manipulate. Cartridges inserted readily into the Remington's internal magazine through the ejection port in the right side of the receiver. However, since the magazine had a fixed floorplate, the only way to unload the

magazine was to repeatedly cycle the action until it was empty. None of our shooters were satisfied with the movement of the ADL Synthetic's trigger. The pull had no slack and only a minor amount of overtravel, but it released at 4.75 pounds. This, in our

opinion, was 2 pounds too heavy. Overall, this Remington's handling qualities were nothing special. Balancing 1 inch in front of the ejection port, it was moderately muzzle heavy. Shouldering was fairly smooth. The rifle pointed well enough, but it wasn't especially responsive when acquiring the target, we thought. Its unjeweled bolt didn't operate as smoothly as the Winchester's jeweled bolt.

On the positive side, we encountered no malfunctions while firing the ADL Synthetic. The two-position manual safety on the right rear of the receiver worked smoothly. The magazine held four rounds, one less than the capacity of the Winchester or Howa guns, but four is enough for most hunting situations. The buttstock's raised cheekpiece provided very good cheek and jaw contact when using a scope. The pistol grip allowed the shooter to get a comfortable and secure grasp, as did the nicely rounded forend. During recoil, this .30-06 generated an average amount of kick and muzzle jump. Iron sights were standard equipment on the ADL Synthetic, instead of an extra-cost option as on most bolt-action rifles in this price range. The front sight, which sat on a ramped base, was a blade with a bead-shaped top. The rear sight consisted of a sliding blade with a U-shaped notch that sat on an inclined base. The rear could be pushed in the desired directions for windage and elevation adjustments after loosening the appropriate screw(s). This crude method of adjustment was tedious, but the sights provided a decent sighting reference out to around 65 yards.

**Howa Model 1500 Lightning**

**Our Recommendation: Pass.** We felt the quality of the Lightning's fit and finish were comparable to the Remington rifle. However, its